

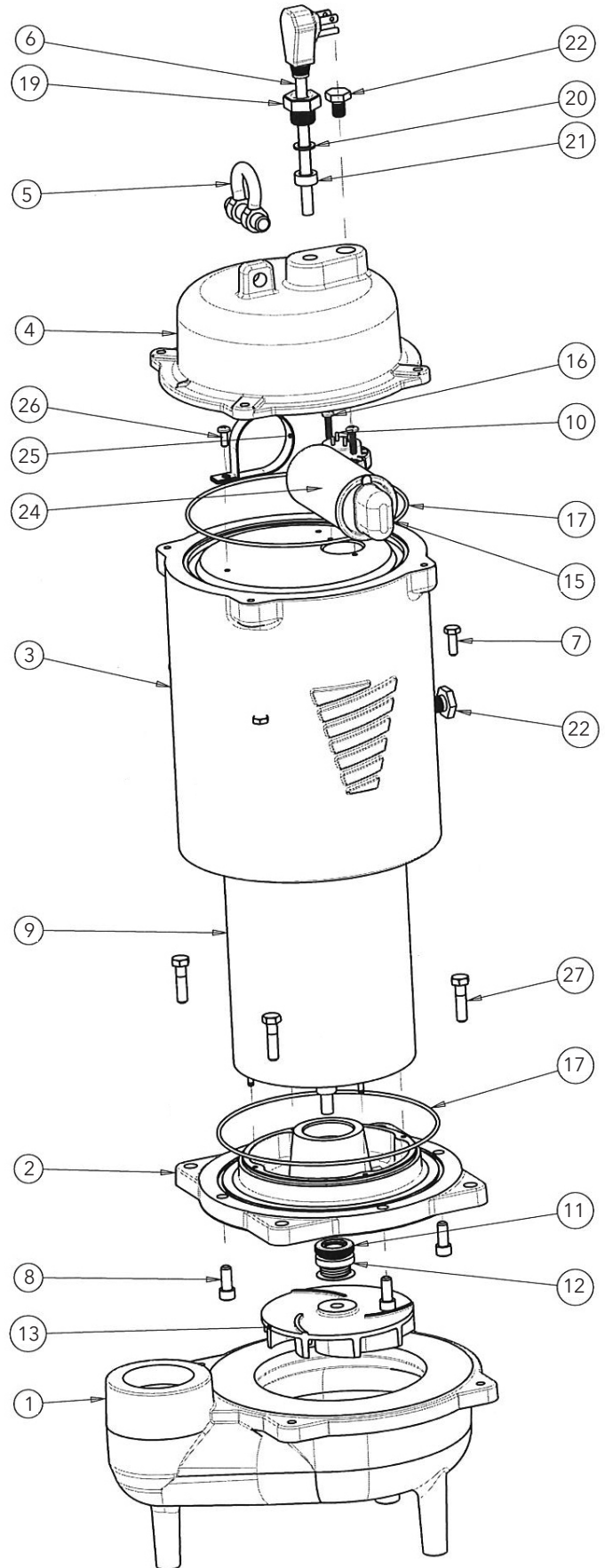
VTX Series

Vortex Pump

REPAIR PARTS

VTX0511

No.	PN#	Description	Qty.
1	1K1108	Casing	1
2	1K167	Stuffing Box	1
3	1K1109	Motor Housing	1
4	1K1110	Capacitor Housing	1
5	4K494	Shackle	1
6	9K771	Cord Set 1/60/115 20FT with Plug	1
7	13K464	1/4-20 X .75" Hex Hd Cap Screw	4
8	13K271	5/16-18 X .75" Skt Hd Cap Screw	4
9	9K817	Motor 1/60/115	1
10	9K758	Connector Plug	1
11/12	10K120	Mechanical Seal Assembly	1
13	2K1287	Impeller 3.125"	1
14	9K759	Wiring Harness (not on drawing)	1
15	9K825	Capacitor Rubber Boot	1
16	13K466	Pan Hd Screw 10-24 X .62"	2
17	4K252	O-Ring	2
18	9K145	Wire Nut (Not On Drawing)	2
19/20/21	5K113	Strain Relief Assembly	1
22	6K169	3/8" NPT Pipe Plug SS	2
23	4K432	Insulating Oil (4K432 sold as 5 Gallon Quantity Only) (not on drawing)	3.75 Qrts
24	9K820	1/60/115 Capacitor 45MFD	1
25	9K823	Capacitor Clamp	1
26	13K164	Pan Hd Screw 10-24 X .5"	2
27	13K465	5/16-18 X 1.25" Hex Hd Cap Screw	4



VTX0512

No.	PN#	Description	Qty.
1	1K1108	Casing	1
2	1K167	Stuffing Box	1
3	1K1109	Motor Housing	1
4	1K1110	Capacitor Housing	1
5	4K494	Shackle	1
6	9K393	Cord Set 1/60/230 20FT W/Plug	1
7	13K464	1/4-20 X .75" Hex Hd Cap Screw	4
8	13K271	5/16-18 X .75" Skt Hd Cap Screw	4
9	9K818	Motor 1/60/230	1
10	9K758	Connector Plug	1
11/12	10K120	Mechanical Seal Assembly	1
13	2K1287	Impeller 3.125"	1
14	9K759	Wiring Harness (Not On Drawing)	1
15	9K825	Capacitor Rubber Boot	1
16	13K466	Pan Hd Screw 10-24 X .62"	2
17	4K252	O-Ring	2
18	9K145	Wire Nut (Not On Drawing)	2
19/20/21	5K113	Strain Relief Assembly	1
22	6K169	3/8" NPT Pipe Plug SS	2
23	4K432	Insulating Oil (4K432 sold as 5 Gallon Quantity Only) (Not On Drawing)	3.75 Qrts
24	9K821	1/60/230 Capacitor 30MFD	1
25	9K824	Capacitor Clamp	1
26	13K164	Pan Hd Screw 10-24 X .5"	2
27	13K465	5/16-18 X 1.25" Hex Hd Cap Screw	4

VTX1512

No.	PN#	Description	Qty.
1	1K1108	Casing	1
2	1K167	Stuffing Box	1
3	1K1109	Motor Housing	1
4	1K1110	Capacitor Housing	1
5	4K494	Shackle	1
6	9K393	Cord Set 1/60/230 20FT W/Plug	1
7	13K464	1/4-20 X .75" Hex Hd Cap Screw	4
8	13K271	5/16-18 X .75" Skt Hd Cap Screw	4
9	9K819	Motor 1/60/230	1
10	9K758	Connector Plug	1
11/12	10K120	Mechanical Seal Assembly	1
13	2K1285	Impeller 4.062"	1
14	9K759	Wiring Harness (Not On Drawing)	1
15	9K825	Capacitor Rubber Boot	1
16	13K466	Pan Hd Screw 10-24 X .62"	2
17	4K252	O-Ring	2
18	9K145	Wire Nut (Not On Drawing)	2
19/20/21	5K113	Strain Relief Assembly	1
22	6K169	3/8" NPT Pipe Plug SS	2
23	4K432	Insulating Oil (4K432 sold as 5 Gallon Quantity Only) (Not On Drawing)	3.75 Qrts
24	9K822	1/60/230 Capacitor 50MFD	1
25	9K823	Capacitor Clamp	1
26	13K164	Pan Hd Screw 10-24 X .5"	2
27	13K465	5/16-18 X 1.25" Hex Hd Cap Screw	4

VTX1012

No.	PN#	Description	Qty.
1	1K1108	Casing	1
2	1K167	Stuffing Box	1
3	1K1109	Motor Housing	1
4	1K1110	Capacitor Housing	1
5	4K494	Shackle	1
6	9K393	Cord Set 1/60/230 20FT W/Plug	1
7	13K464	1/4-20 X .75" Hex Hd Cap Screw	4
8	13K271	5/16-18 X .75" Skt Hd Cap Screw	4
9	9K818	Motor 1/60/230	1
10	9K758	Connector Plug	1
11/12	10K120	Mechanical Seal Assembly	1
13	2K1286	Impeller 3.125"	1
14	9K759	Wiring Harness (Not On Drawing)	1
15	9K825	Capacitor Rubber Boot	1
16	13K466	Pan Hd Screw 10-24 X .62"	2
17	4K252	O-Ring	2
18	9K145	Wire Nut (Not On Drawing)	2
19/20/21	5K113	Strain Relief Assembly	1
22	6K169	3/8" NPT Pipe Plug SS	2
23	4K432	Insulating Oil (4K432 sold as 5 Gallon Quantity Only) (Not On Drawing)	3.75 Qrts
24	9K821	1/60/230 Capacitor 30MFD	1
25	9K824	Capacitor Clamp	1
26	13K164	Pan Hd Screw 10-24 X .5"	2
27	13K465	5/16-18 X 1.25" Hex Hd Cap Screw	4

VTX2012

No.	PN#	Description	Qty.
1	1K1108	Casing	1
2	1K167	Stuffing Box	1
3	1K1109	Motor Housing	1
4	1K1110	Capacitor Housing	1
5	4K494	Shackle	1
6	9K393	Cord Set 1/60/230 20FT W/Plug	1
7	13K464	1/4-20 X .75" Hex Hd Cap Screw	4
8	13K271	5/16-18 X .75" Skt Hd Cap Screw	4
9	9K819	Motor 1/60/230	1
10	9K758	Connector Plug	1
11/12	10K120	Mechanical Seal Assembly	1
13	2K1283	Impeller 4.313"	1
14	9K759	Wiring Harness (Not On Drawing)	1
15	9K825	Capacitor Rubber Boot	1
16	13K466	Pan Hd Screw 10-24 X .62"	2
17	4K252	O-Ring	2
18	9K145	Wire Nut (Not On Drawing)	2
19/20/21	5K113	Strain Relief Assembly	1
22	6K169	3/8" NPT Pipe Plug SS	2
23	4K432	Insulating Oil (4K432 sold as 5 Gallon Quantity Only) (Not On Drawing)	3.75 Qrts
24	9K822	1/60/230 Capacitor 50MFD	1
25	9K823	Capacitor Clamp	1
26	13K164	Pan Hd Screw 10-24 X .5"	2
27	13K465	5/16-18 X 1.25" Hex Hd Cap Screw	4

Xylem Inc.

2881 East Bayard Street Ext., Suite A, Seneca Falls, NY 13148

Phone: (866) 672-3669 Fax: (888) 322-5877

www.xylem.com/gouldswatertechnology

a xylem brand

Goulds is a registered trademark of Goulds Pumps, Inc. and is used under license.

© 2018 Xylem Inc. RVTX R1 November 2018

Order Online: www.PumpCatalog.com